

Round Style Analog Panel Meters



- Glass window for optimum viewing
- Rugged black plastic case
- Black spade-type pointer for easy distant reading

Specifications

| | |
|-------------------------------|--|
| Accuracy: | ±2% F.S. (Iron-Vane), ±3% F.S. (Rectifier) |
| Frequency models: | 45-55Hz ±0.3Hz (120V-240V) 55-65Hz ±0.3Hz (120V-240V) 380-420Hz ±1.2Hz (120V-240V) |
| Wattmeters: | ±2% F.S.; Compensated Meters: ±3% F.S. |
| Movement: | Models 55, 155: Iron-vane, magnetically damped Models 45, 145: Annular, rectifier type Models 85 & 185: small core magnet, self-shielding Models 25, 27, 29, 125: Annular, self-shielding |
| Tracking: | ±3% |
| Shielding: | Calibration is unaffected by magnetic panel mounting. |
| Response Time: | 1.5 seconds maximum |
| Overload (1 sec.): | 10 times F. S. |
| Overload (Continuous): | 1.5 times F. S. |
| Repeatability: | 2% |
| Dial: | Sharp clear scale. Each dial arc is calibrated to track the specific type of movement used. |
| Case: | High density black plastic |
| Resistance: | ±15% |
| Operating Temp: | -4°F to +149°F (-20°C to +65°C) |
| Pointer: | Models 85 & 185: knife edge, black finish All others: spade pointer with black matte finish |
| Scale Length: | Model 155 & 185: 1.6" (40.6mm) Models 125 & 145: 1.8" (45.7mm) Model 55: 2.3" (58.4mm) Models 25, 27, 45 & 85: 2.5" (63.5mm) Model 29: 3.80" (96.5mm) |
| Net Weight: | Models 55, 155 & 185: 5oz (0.14kg) Models 85, 125, 145 & 45: 7oz (0.20kg) Models 25 & 27: 8oz (.23kg) Model 29: 11oz (.31kg) |

Ordering Information

AC Microammeters Rectifier Type, Self Shielding Movement

| Range | Approx. Impedance (ohms) | Model/Size and Catalog Number | |
|-------|--------------------------|-------------------------------|--|
| | | 3-1/2" Model 45 | |
| 0-100 | 3400 | 04080 | |

AC Milliammeters, Iron Vane & Rectified Movement

| Range | Approx. Impedance (ohms) @ 60 Hz | Model/Size and Catalog Number | | |
|-------|----------------------------------|-------------------------------|-----------------|-----------------|
| | | 2-1/2" Model 155 | 3-1/2" Model 55 | 4-1/2" Model 45 |
| 0-1 | 600 | <> | <> | 06820* |
| 0-5 | 200 | <> | <> | 06840* |
| 0-10 | 887.0 | <> | 05380 | <> |
| 0-15 | 80.0 | <> | 05400 | <> |
| 0-100 | 717.2 | <> | 05410 | <> |
| 0-150 | 8.76 | <> | 35069 | <> |
| 0-250 | 3.1 | 06080 | 05420 | <> |
| 0-500 | .9 | <> | 05430 | <> |

* Rectified Models

AC Ammeters, Iron Vane Movement

| Range | Approx. Impedance (ohms) @ 60 Hz | Model/Size and Catalog Number | |
|-------|----------------------------------|-------------------------------|-----------------|
| | | 2-1/2" Model 155 | 3-1/2" Model 55 |
| 0-1 | .213 | 02100 | 00950 |
| 0-1.5 | .105 | <> | 00960 |
| 0-2 | .065 | 02120 | 00970 |
| 0-3 | .028 | 02130 | 00980 |
| 0-5 | .008 | 02140 | 00990 |
| 0-10 | .004 | 02150 | 01001 |
| 0-15 | .0025 | 02160 | 01010 |
| 0-25 | .002 | 02170 | 01020 |
| 0-30 | .0015 | 02180 | 01030 |
| 0-50 | .001 | 02190 | 01040 |
| 0-75 | .0002 | <> | 03432 |
| 0-75 | .008 | 02200* | <> |
| 0-100 | .008 | 02210* | 01060* |
| 0-150 | .008 | 02220* | 01070* |
| 0-200 | .008 | <> | 01080* |
| 0-250 | .008 | 02240* | 01090* |
| 0-300 | .008 | <> | 01100* |
| 0-500 | .008 | 02260* | 01110* |

<> Available on special order.

* These meters require use of an external current transformer from page C4-C6

4-20mA Process Meters, Dial indicates 0-100 Percent

| Range | Approx. Impedance (Ohms) | Model/Size and Catalog number |
|-------|--------------------------|-------------------------------|
| 4-20 | 5.0 | 35022 |

more >>



Round Style Analog Panel Meters

Ordering Information

AC Voltmeters, Iron Vane Movement

| Range | Approx. Impedance (Ohms) @ 60 Hz | Model/Size and Catalog Number | |
|-------|----------------------------------|-------------------------------|-----------------|
| | | 2-1/2" Model 155 | 3-1/2" Model 55 |
| 0-5 | 33 | <> | 08410 |
| 0-10 | 133 | <> | 08420 |
| 0-15 | 300 | <> | 08430 |
| 0-25 | 833 | <> | 08440 |
| 0-50 | 3,333 | 09290 | 08450 |
| 0-100 | 16,166 | <> | 08460 |
| 0-150 | 25,000 | 09310 | 08470 |
| 0-250 | 41,166 | 09320 | 08480 |
| 0-300 | 50,000 | 09330 | 08490 |
| 0-500 | 83,333 | 09340* | 08500* |
| 0-750 | 125,000 | <> | 08510* |

* External multipliers (model 183) are furnished on AC meters having a range of 500 volts or higher.

<> Available on special order

AC Volt Meters Rectifier Type, Self Shielding Movement

| Range | Approx. Impedance (ohms) @ 60 Hz | Model/Size and Catalog Number | |
|-------|----------------------------------|-------------------------------|--|
| | | 3-1/2" Model 45 | |
| 0-150 | 300K | 08010 | |

DC Microammeters, Self Shielding Movement

| Range | Approx. Impedance (ohms) @ 60 Hz | Model/Size and Catalog Number | |
|-----------|----------------------------------|-------------------------------|-----------------|
| | | 2-1/2" Model 125 | 3-1/2" Model 25 |
| 0-50 | 1800 | 04210 | 03760 |
| 0-100 | 1800 | 04220 | 03770 |
| 0-200 | 1100 | 04230 | 03780 |
| 0-500 | 90 | 04240 | 03790 |
| 50-0-50 | 1800 | 04194 | 03810 |
| 100-0-100 | 1100 | 04196 | 03820 |
| 500-0-500 | 43 | <> | 03830 |

<> Available on special order

DC Taut-Band Microammeters, Self-Shielding Movement

| Range | Approx. Impedance(ohms) @ 60 Hz | Model/Size and Catalog Number | |
|-------|---------------------------------|-------------------------------|------------------|
| | | 2-1/2" Model 125T | 3-1/2" Model 25T |
| 0-10 | 4900 | 04197 | <> |
| 0-15 | 1960 | <> | 03741 |
| 0-25 | 1960 | 04201 | 03751 |
| 0-50 | 960 | <> | 03761 |
| 0-100 | 500 | <> | 03771 |

<> Available on special order

DC Milliammeters, Self Shielding Movement

| Range | Approx. Impedance (ohms) @ 60 Hz | Model/Size and Catalog Number | |
|--------|----------------------------------|-------------------------------|-----------------|
| | | 2-1/2" Model 125 | 3-1/2" Model 25 |
| 0-1 | 43.0 | 05580 | 04610 |
| 0-1.5 | 43.0 | <> | 04620 |
| 0-5 | 2.0 | 05610 | 04640 |
| 0-10 | 10.0 | 05620 | 04650 |
| 0-15 | 6.6 | 05630 | 04660 |
| 0-25 | 4.0 | 05650 | 04680 |
| 0-50 | 2.0 | <> | 04690 |
| 0-75 | 1.3 | 05670 | <> |
| 0-100 | 1.0 | 05680 | 04710 |
| 0-150 | .66 | 05690 | 04720 |
| 0-200 | .5 | 05700 | 04730 |
| 0-250 | .5 | 05710 | <> |
| 0-300 | .33 | <> | 04750 |
| 0-500 | .2 | 05730 | 04760 |
| 0-1000 | .05 | <> | 04780 |

<> Available on special order.

Wattmeters - Dynamometer Type

| Range | Maximum | | Model/Size and Catalog Number | |
|-------|---------|------|-------------------------------|--|
| | Volts | Amps | 3-1/2" Model 75 | |
| 0-300 | 150 | 4.0 | 10600 | |

DC Ammeters, Self Shielding Movement

| Range | Approx. Impedance (Ohms) @ 60 Hz | Model/Size and Catalog Number | |
|---------|----------------------------------|-------------------------------|-----------------|
| | | 2-1/2" Model 125 | 3-1/2" Model 25 |
| 0-1 | .050 | 01460 | 00005 |
| 0-2 | .025 | <> | 00030 |
| 0-3 | .0166 | 01490 | 00040 |
| 0-5 | .010 | 01500 | 00050 |
| 0-10 | .005 | 01510 | 00060 |
| 0-15 | .0033 | 01520 | 00070 |
| 0-25 | .002 | 01530 | 00080 |
| 0-30 | .0017 | 01540 | 00090 |
| 0-50 | .001 | 01550 | 00099 |
| 0-75 | 10.0 | 01560* | 00110* |
| 0-100 | 10.0 | 01570* | 00120* |
| 0-150 | 10.0 | 01580* | 00130* |
| 0-200 | 10.0 | 01590* | 00140* |
| 0-250 | 10.0 | <> | 00151* |
| 0-300 | 10.0 | 01610* | 00160* |
| 0-500 | 10.0 | 01620 | 00170* |
| 0-750 | 10.0 | <> | 00177* |
| 0-1000 | 10.0 | <> | 00188* |
| 15-0-15 | .0033 | <> | 00200 |
| 30-0-30 | .0017 | 01660 | 00210 |
| 50-0-50 | .001 | 016670 | 00220 |
| 75-0-75 | 20.0 | 35066 | 35037* |

* DC current meters are self-contained for ranges up to and including 50 amperes. Higher range DC current meters (50 mV) listed above are calibrated for 5' leads and require external shunts.

<> Available on special order.

DC Millivoltmeters, Self Shielding Movement

| Range | Approx. Impedance (ohms) @ 60 Hz | Model/Size and Catalog Number | |
|-------|----------------------------------|-------------------------------|-----------------|
| | | 2-1/2" Model 125 | 3-1/2" Model 25 |
| 0-50 | 10.0 | 06970 | 06910 |
| 0-100 | 20.0 | <> | 35093 |

<> Available on special order.

DC Voltmeters, Self Shielding Movement

| Range | Approx. Impedance (Ohms) @ 60 Hz | Model/Size and Catalog Number | |
|--------|----------------------------------|-------------------------------|-----------------|
| | | 2-1/2" Model 125 | 3-1/2" Model 25 |
| 0-1.5 | | 08850 | <> |
| 0-3 | | <> | 07070 |
| 0-5 | | 08870 | 07080 |
| 0-10 | | 08890 | 07100 |
| 0-15 | 1000 | 08900 | 07110 |
| 0-25 | Ohms | 08910 | 07120 |
| 0-30 | Per Volt | 08920 | 07130 |
| 0-50 | | 08930 | 07140 |
| 0-100 | | 08940 | 07150 |
| 0-150 | | 08950 | 07160 |
| 0-200 | | 08960 | 07170 |
| 0-250 | | 08970 | 07180 |
| 0-300 | | <> | 07190 |
| 0-500 | | <> | 07200 |
| 0-750 | | <> | 07210 |
| 0-1000 | 2000 | <> | 07220* |
| 0-2000 | Per Volt | <> | 07240* |
| 0-3000 | | <> | 07260* |
| 0-5000 | | <> | 07280* |

*External multipliers, Model 183, are furnished on 2-1/2" DC meters 750 volts or higher.

<> Available on special order.

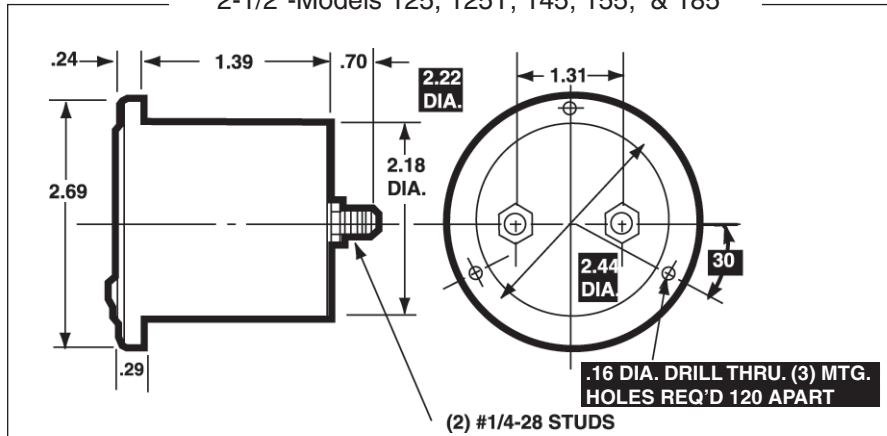
Frequency Meters, Self-Shielding Movement

| Range | Voltage | Model/Size and Catalog Number | |
|------------|---------|-------------------------------|-----------------|
| | | 2-1/2" Model 185 | 3-1/2" Model 85 |
| 45-55 Hz | 120V | 35154 | 35160 |
| 55-65 Hz | 120V | 35156 | 35162 |
| 380-420 Hz | 120V | 35158 | 35164 |
| 45-55 Hz | 240V | 35155 | 35161 |
| 55-65 Hz | 240V | 35157 | 35163 |
| 380-420 Hz | 240V | 35159 | 35165 |

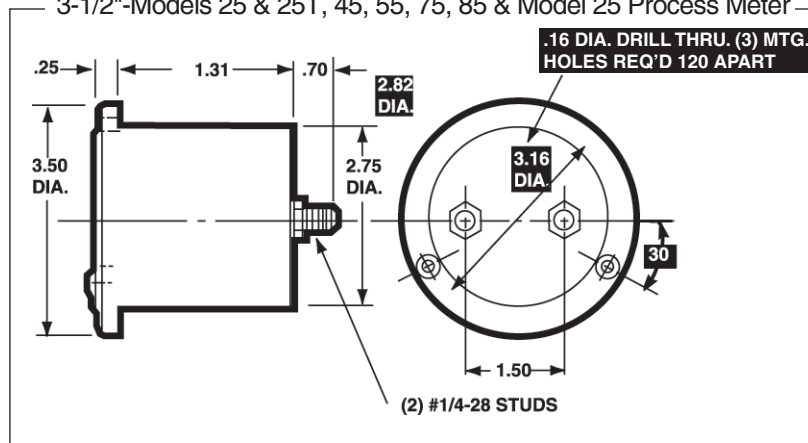
Round Style Analog Panel Meters



2-1/2"-Models 125, 125T, 145, 155, & 185



3-1/2"-Models 25 & 25T, 45, 55, 75, 85 & Model 25 Process Meter



1 = Panel Meter Cut-out Dimensions

NOTE: "T" model suffix used for Taut-Band movement

3-1/2"-Model 75

